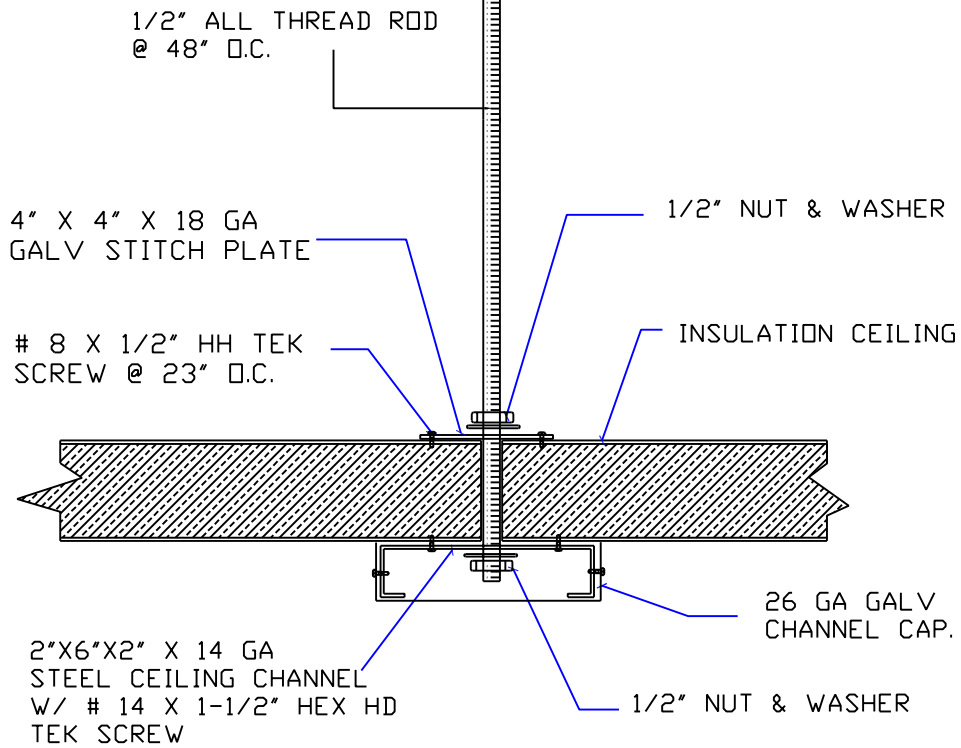


ATTACHMENT TO BUILDING ROOF STRUCTURE



SUSPENDED CEILING PANEL DETAIL

AIRCOOLER CORPORATION

1719 FLORADALE AVE S EL MONTE, CA 91733  
TEL: 626-454-3389 FAX: 626-454-3386