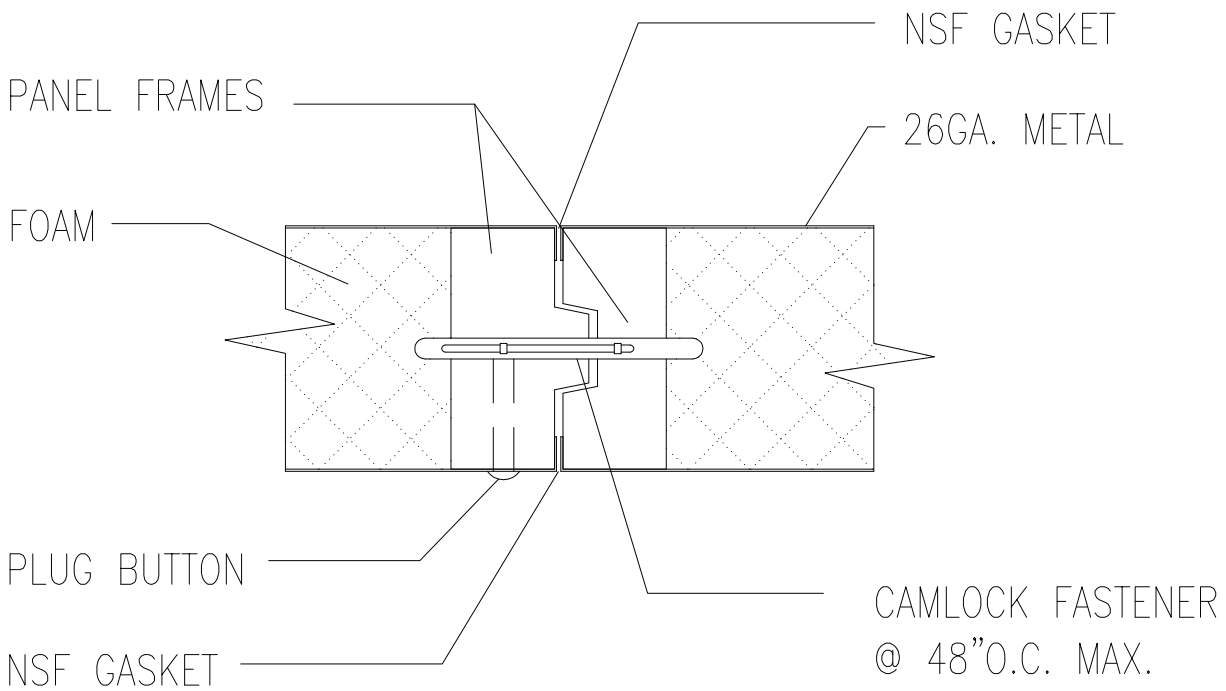
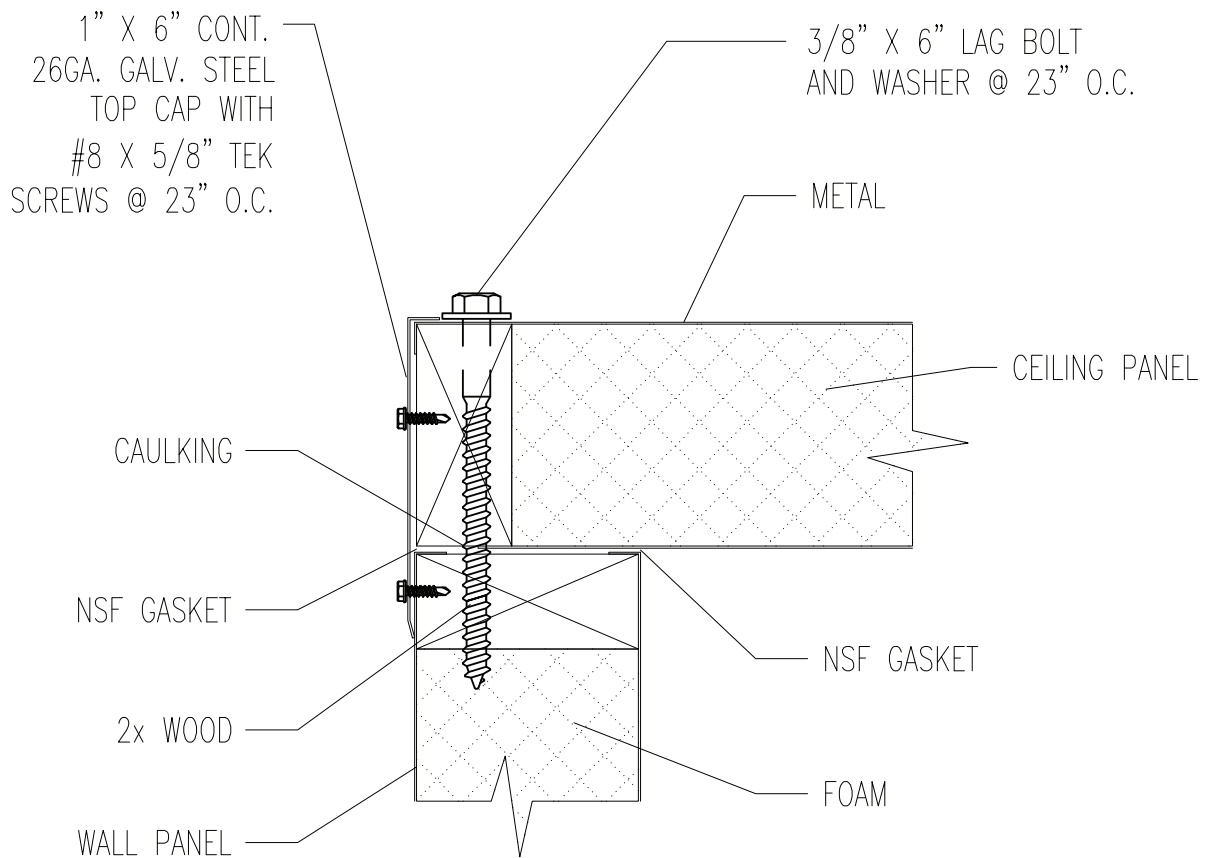


EXTERIOR

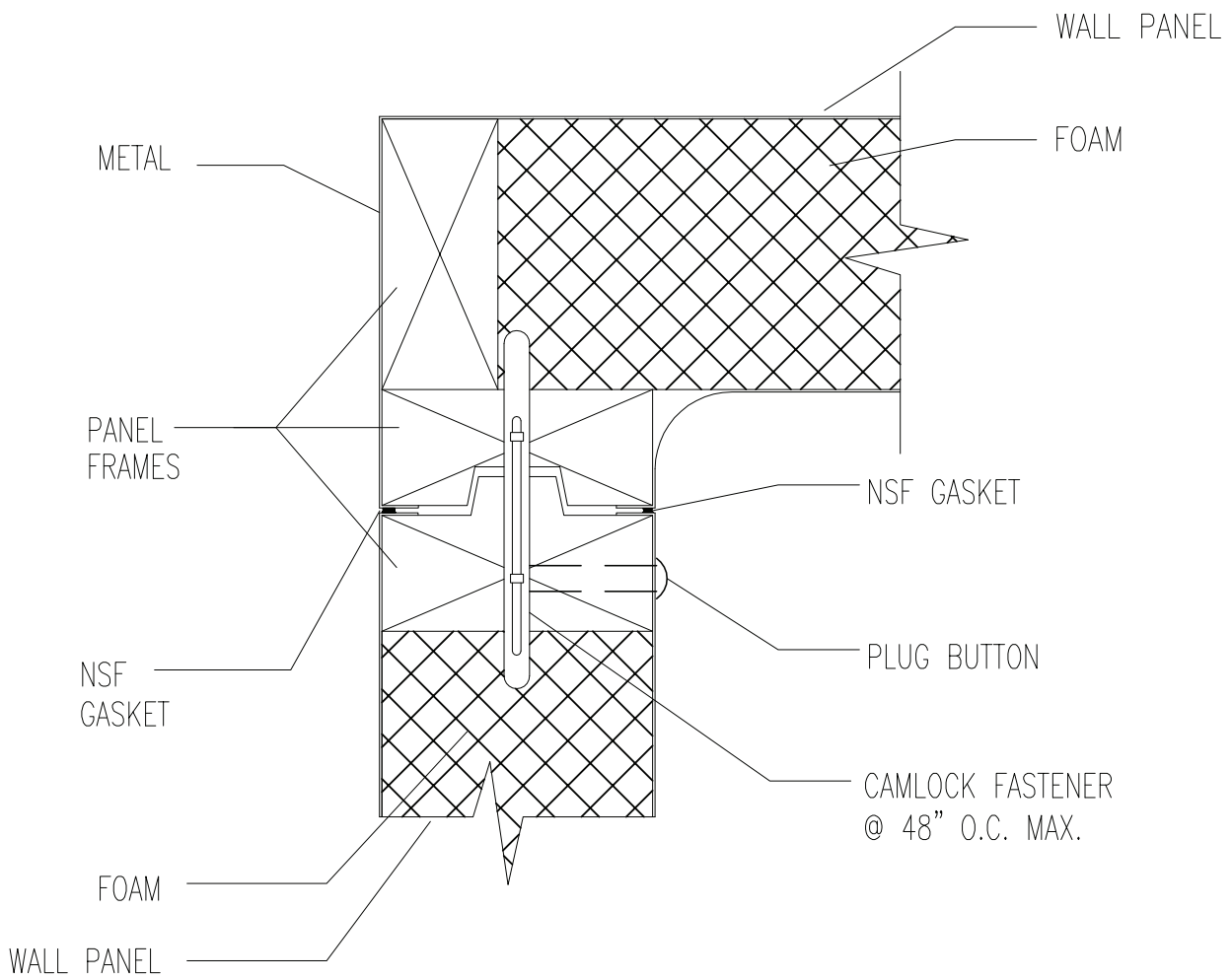


INTERIOR

PANEL TO PANEL CONNECTION



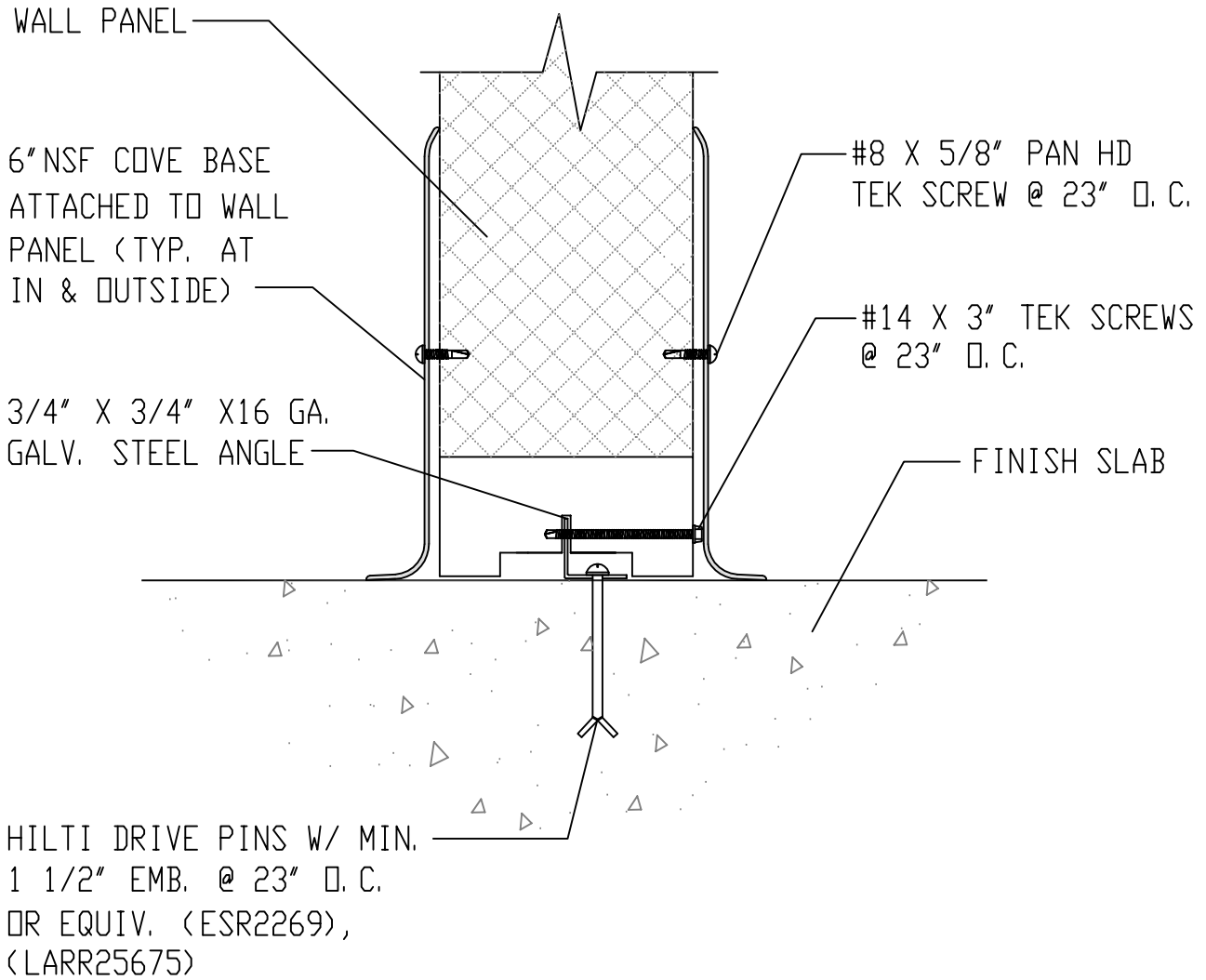
CEILING TO WALL CONNECTION – LAG



CORNER WALL TO WALL CONNECTION

EXTERIOR

INTERIOR



WALL TO CONCRETE SLAB