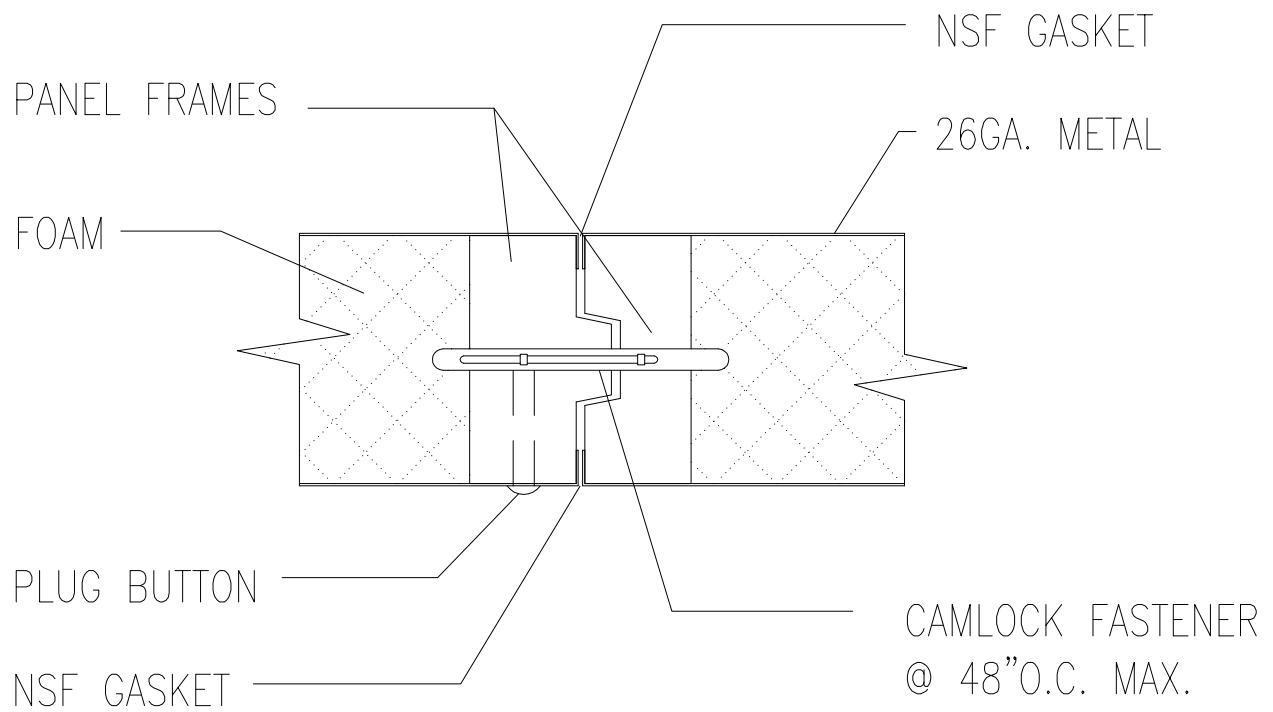
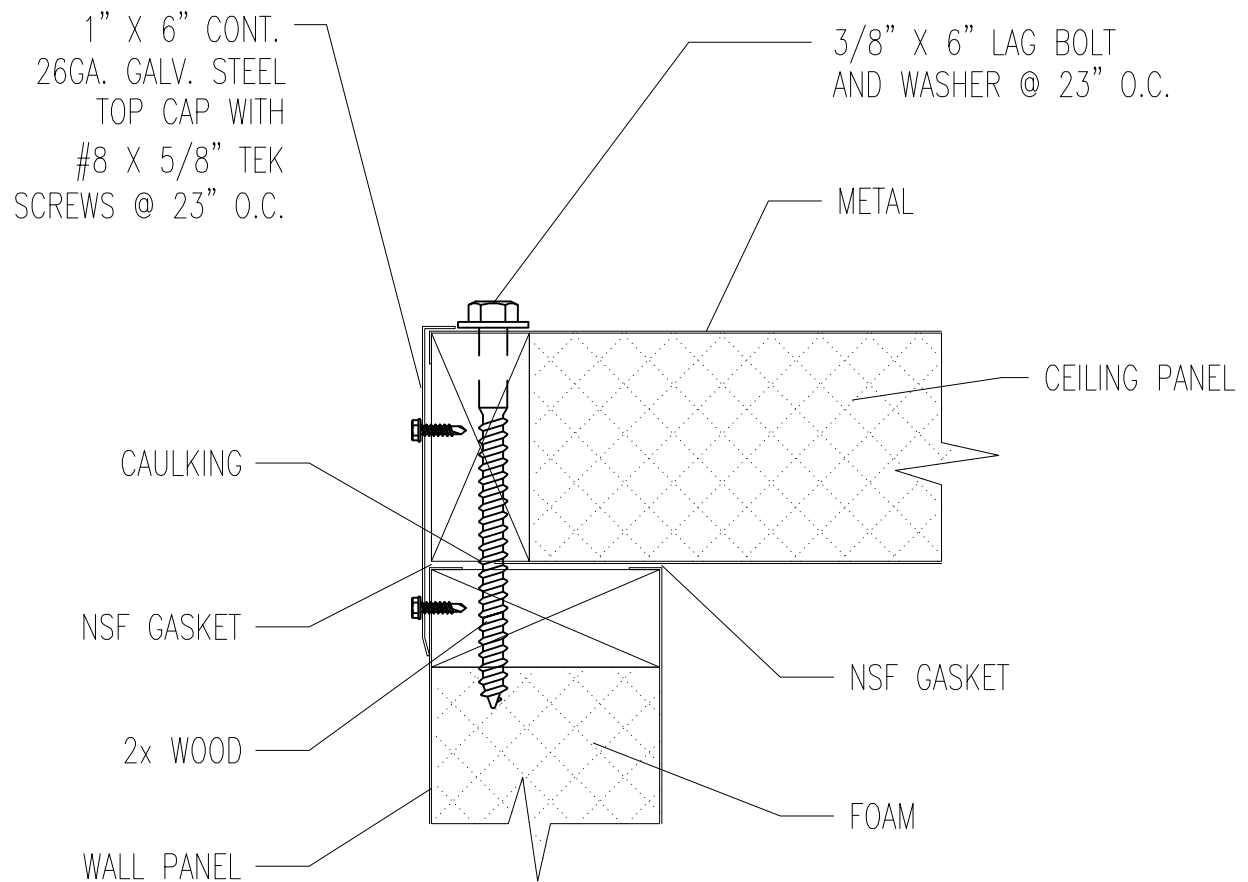


EXTERIOR

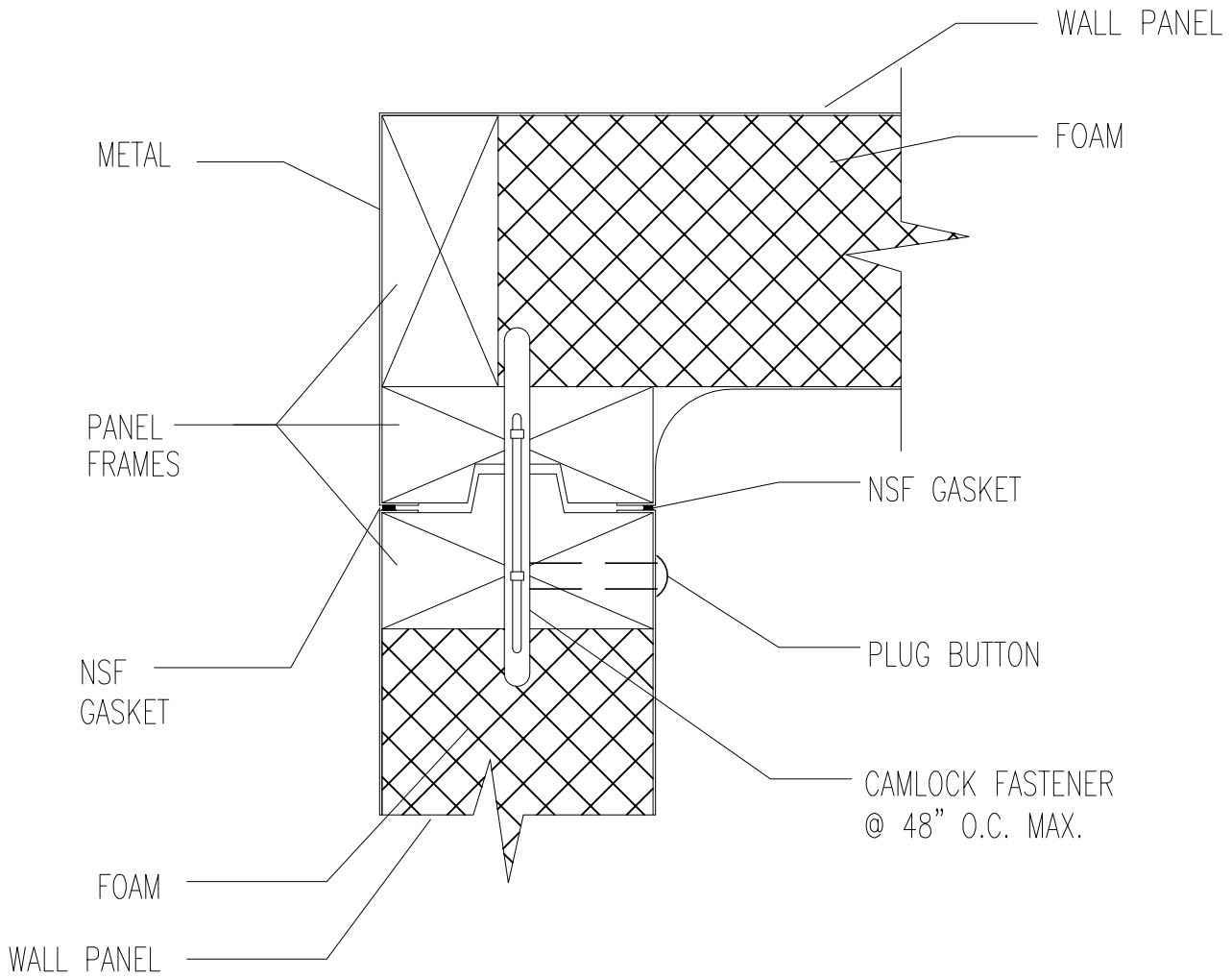


INTERIOR

PANEL TO PANEL CONNECTION



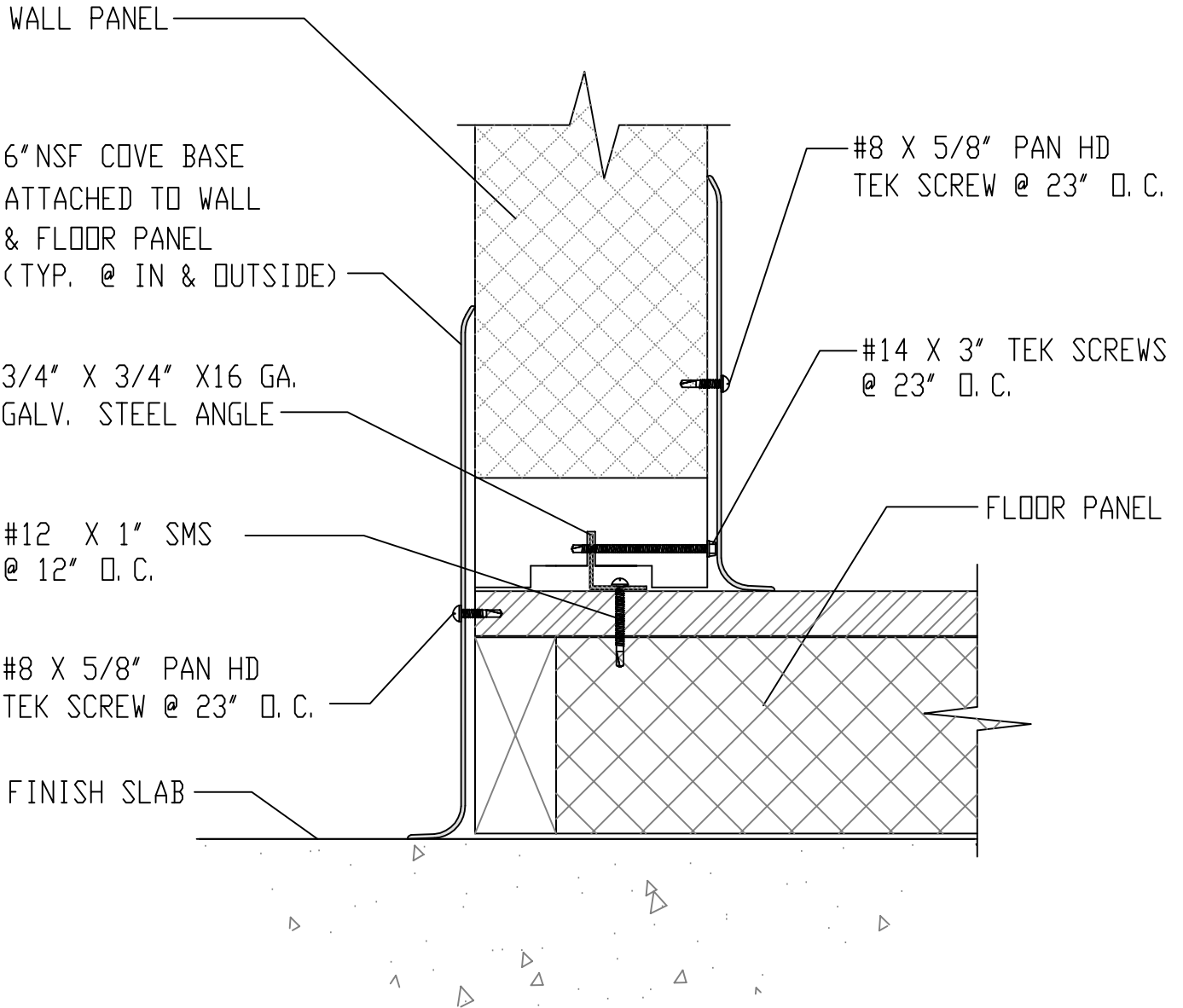
CEILING TO WALL CONNECTION — LAG



CORNER WALL TO WALL CONNECTION

EXTERIOR

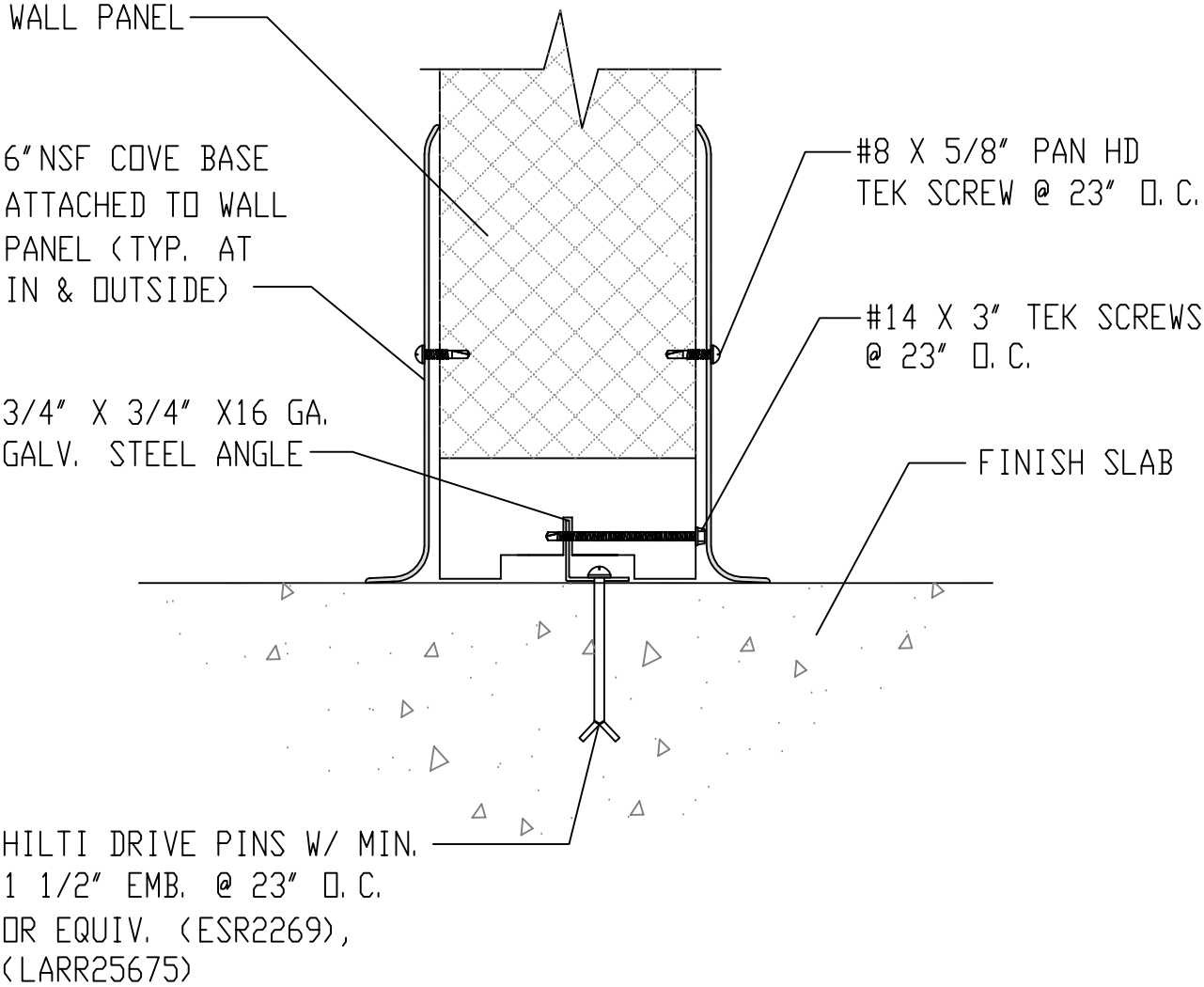
INTERIOR



WALL TO PRE FAB FLOOR

EXTERIOR

INTERIOR



WALL TO CONCRETE SLAB